

# HOW SOY FABRIC IS MADE

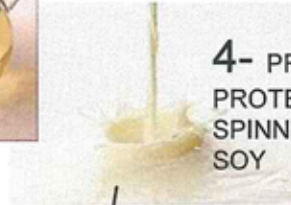
2- SOYBEAN IS HARVESTED



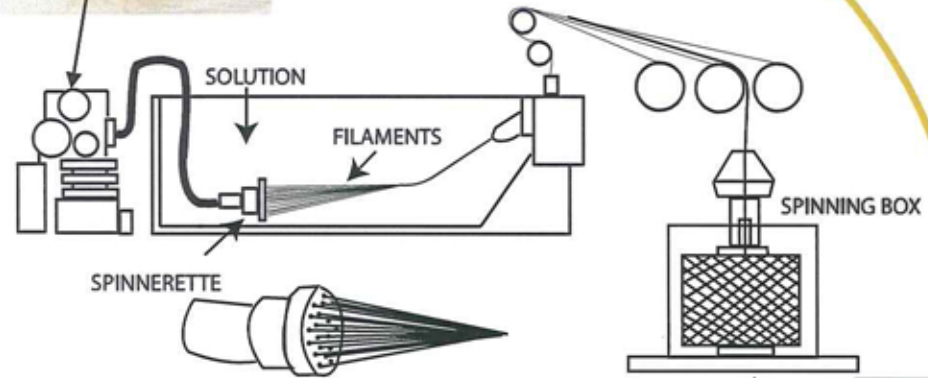
1- SOYBEAN PLANT



4- PROCESSED LIQUID PROTEIN IS FORCED INTO A SPINNERET TO MAKE LIQUID SOY



3- PROTEINS ARE EXTRACTED FROM SOYBEAN LEFTOVER WASTE OF FOOD PRODUCTS ( SUCH AS TOFU, SOYMILK, SOYBEAN OIL)



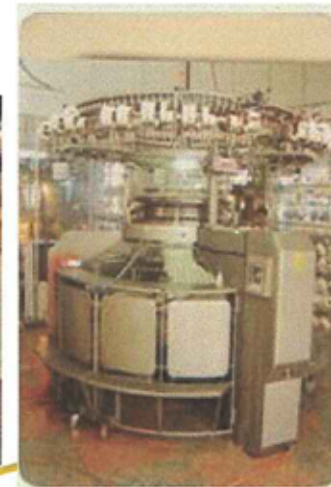
8- FABRICS ARE MADE INTO GARMENTS



7- YARNS ARE KNITTED OR WOVEN INTO FABRICS



6- Fibers are spun and processed into yarns



5- THE LIQUID IS THEN FURTHER PROCESSED AND SOLIDIFIED RESULTING IN SOYBEAN FIBER

